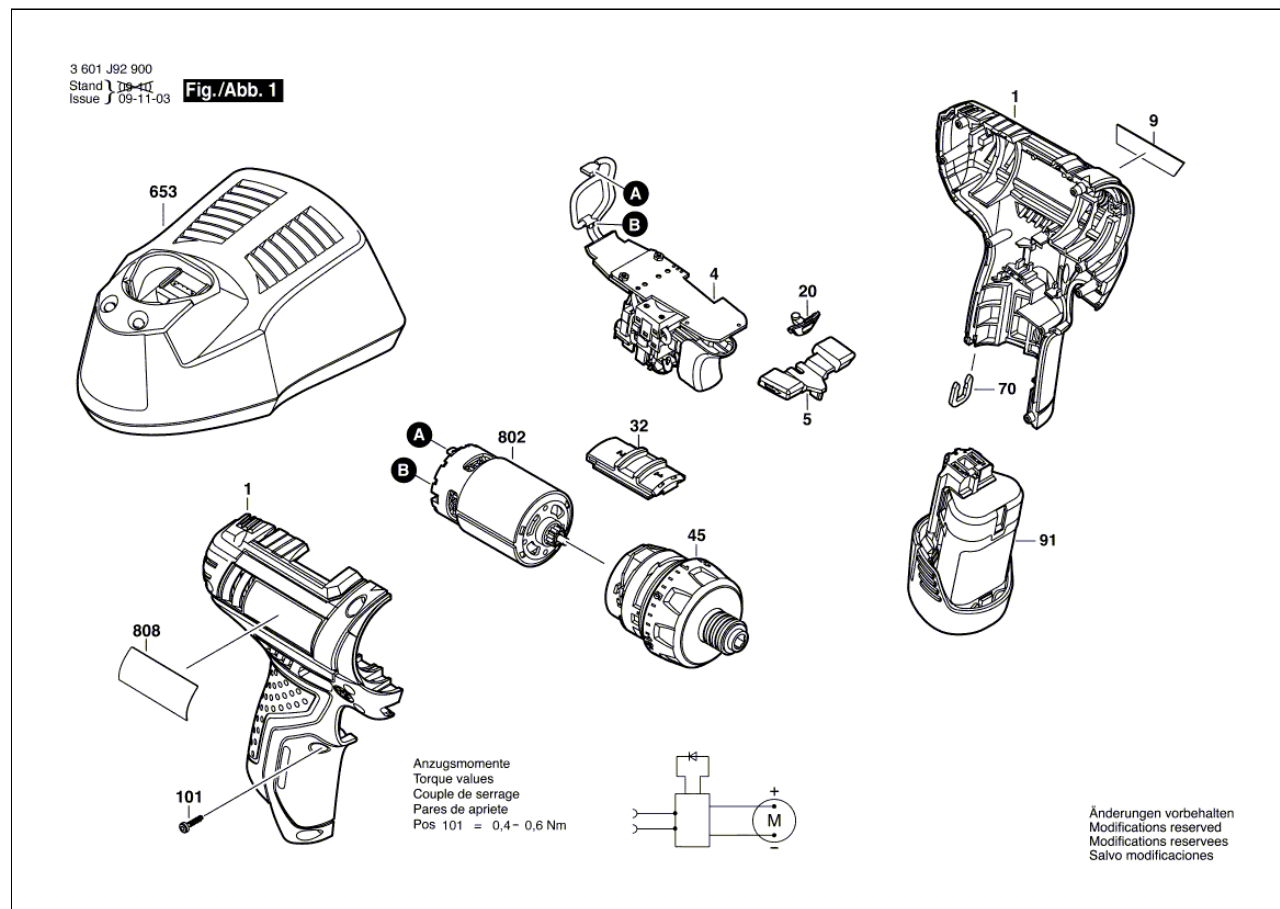


# CORDLESS SCREW DRIVER 3 601 J92 910 PS21

17.08.2010 22:17:11



Item	Quantity	Order No.	Designation	Price group	Page
1	1	2 609 100 839	HOUSING / BLUE	28	1
4	1	1 607 233 422	ELECTRONICS MODULE	39	1
5	1	2 609 100 825	CHANGEOVER LEVER	10	1
9	1	2 609 132 529	NAMEPLATE / Lithium-Ion 12V	13	1
20	1	2 609 100 826	LENS	10	1
32	1	2 609 199 279	SWITCHOVER UNIT	10	1
45	1	2 606 200 259	GEAR BOX	37	1
70	1	2 609 110 537	CLIP	11	1
91	1	2 607 336 335	BATTERY SET / 10,8V, 1,3Ah		1
101	8	2 609 110 883	SCREW	10	1
653	1	2 607 225 139	FAST CHARGER / USA/CAN 120/10,8-12V/30 MIN.	40	1
802	1	2 609 199 258	DC MOTOR / 10,8V	35	1
808	1	2 609 132 609	NAMEPLATE	13	1