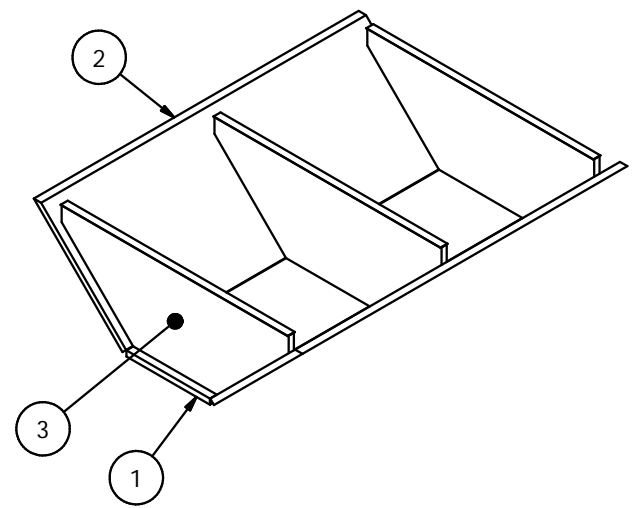


44 3/4

22 7/8

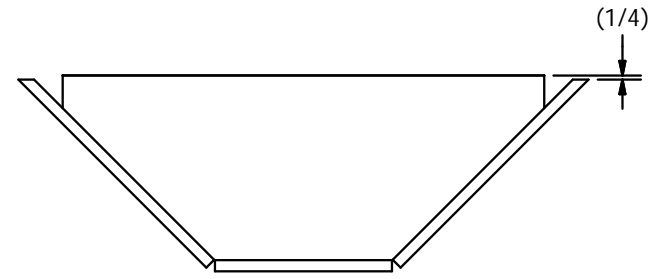
1

4 Apply Velcro to these surfaces  
See note #3



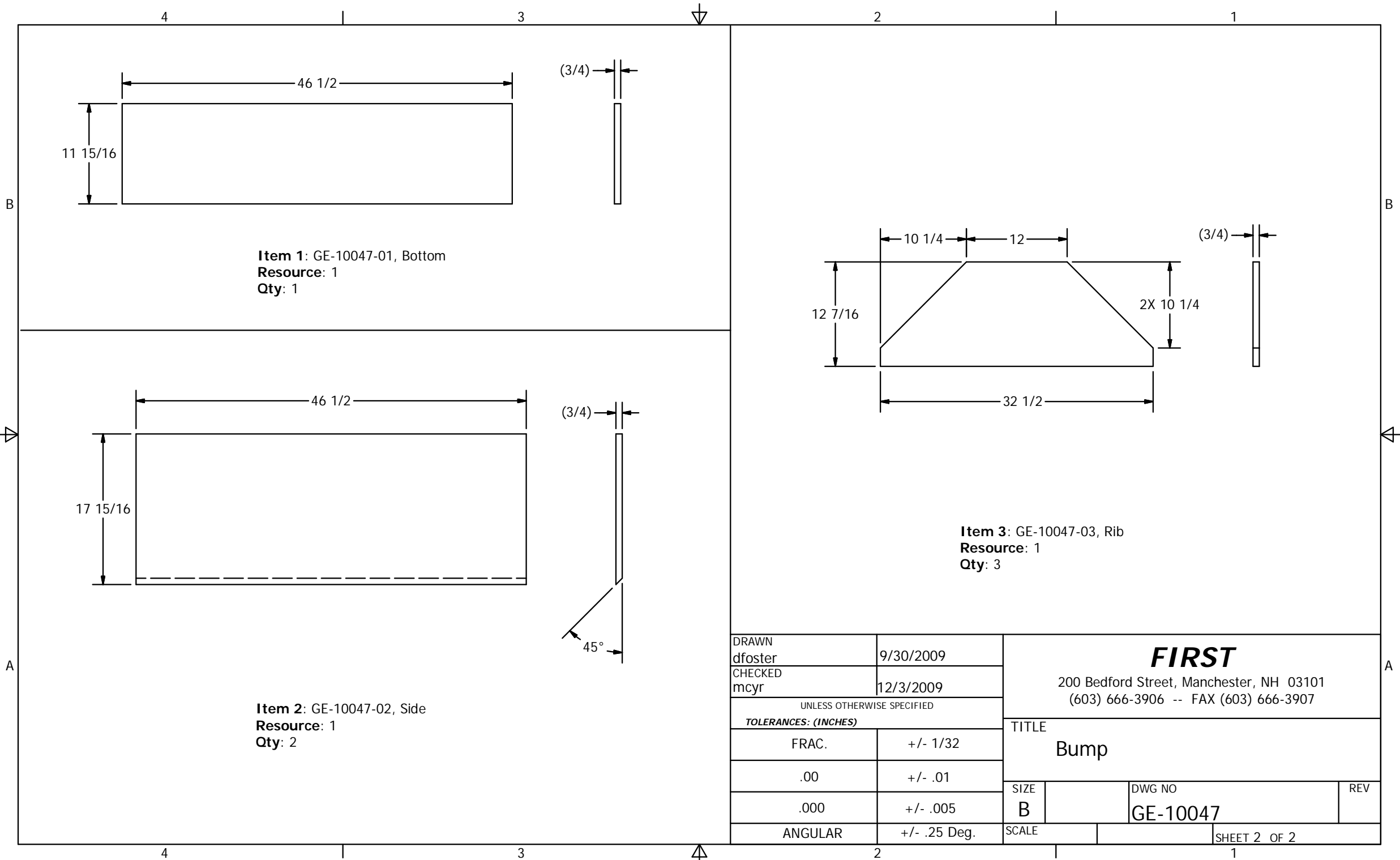
Resources		
Resource	Material	Quantity
1	3/4" Plywood	1 sheet
2	1" Velcro Hook	97.5 inches

PARTS LIST			
ITEM	QTY	PART NUMBER	DESCRIPTION
1	1	GE-10047-01	Bottom
2	2	GE-10047-02	Side
3	3	GE-10047-03	Rib
4	3	GE-10047-04	1" Hook Velcro



- Notes:
- 1) Remove all splinters and sand sharp edges.
  - 2) Item 3 should be attached to Items 1 and 2 with wood glue and staples.  
If screws must be used, pre-drill to avoid splitting of plywood.
  - 3) After applying Velcro, staple in place for added strength

DRAWN dfoster		9/30/2009		<b>FIRST</b> 200 Bedford Street, Manchester, NH 03101 (603) 666-3906 -- FAX (603) 666-3907	
CHECKED mcyr		12/3/2009			
UNLESS OTHERWISE SPECIFIED				TITLE	
<b>TOLERANCES: (INCHES)</b>				Bump	
FRAC.	+/- 1/32		SIZE	DWG NO	REV
.00	+/- .01		B	GE-10047	
.000	+/- .005		SCALE		
ANGULAR	+/- .25 Deg.		SHEET 1 OF 2		



**Item 1:** GE-10047-01, Bottom  
**Resource:** 1  
**Qty:** 1

**Item 2:** GE-10047-02, Side  
**Resource:** 1  
**Qty:** 2

**Item 3:** GE-10047-03, Rib  
**Resource:** 1  
**Qty:** 3

DRAWN dfoster		9/30/2009		<b>FIRST</b> 200 Bedford Street, Manchester, NH 03101 (603) 666-3906 -- FAX (603) 666-3907	
CHECKED mcyr		12/3/2009			
UNLESS OTHERWISE SPECIFIED					
<b>TOLERANCES: (INCHES)</b>					
FRAC.		+/- 1/32		TITLE <b>Bump</b>	
.00		+/- .01			
.000		+/- .005			
ANGULAR		+/- .25 Deg.		SIZE <b>B</b>	DWG NO <b>GE-10047</b>
				SCALE	REV
				SHEET 2 OF 2	