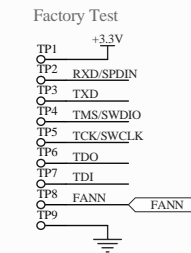
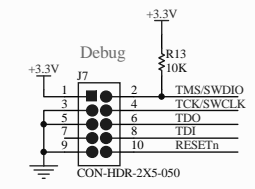


History

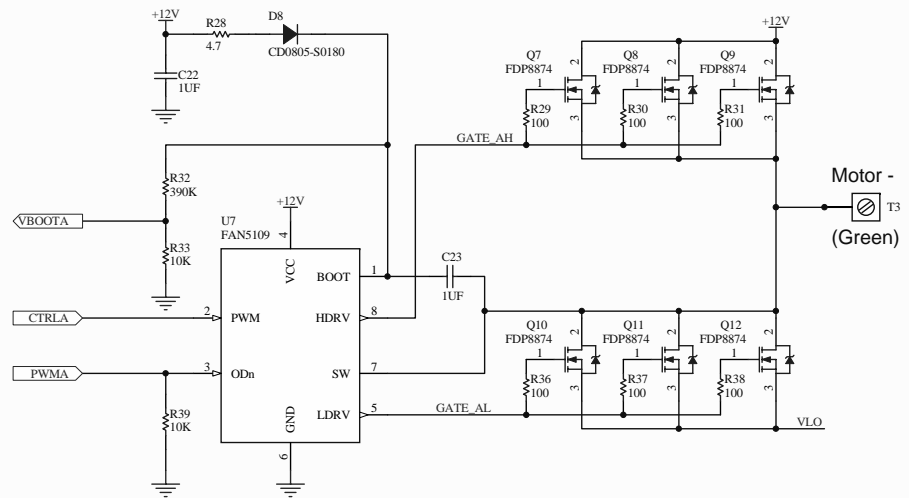
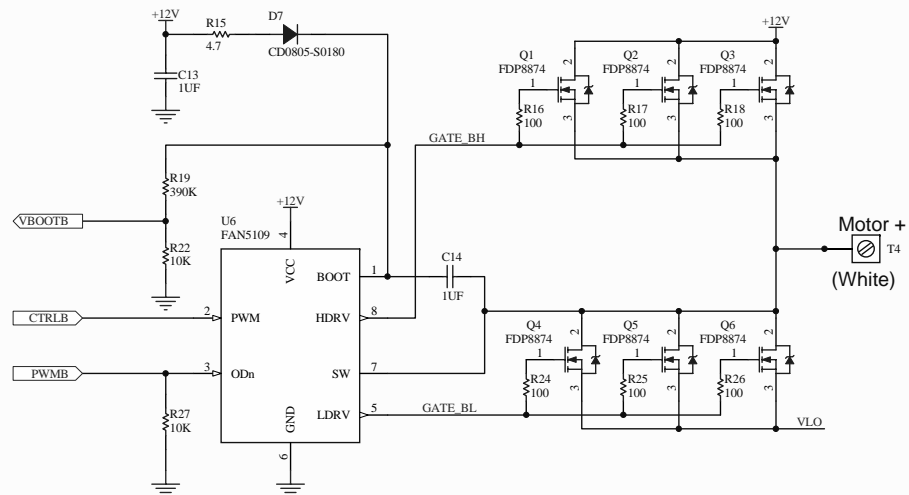
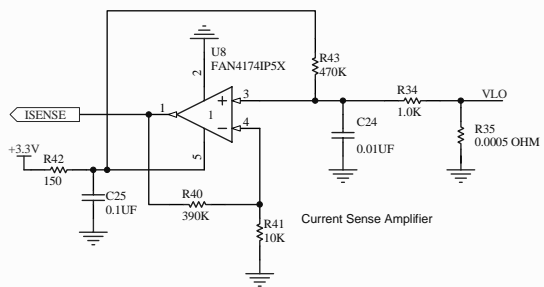
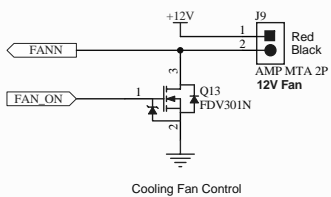
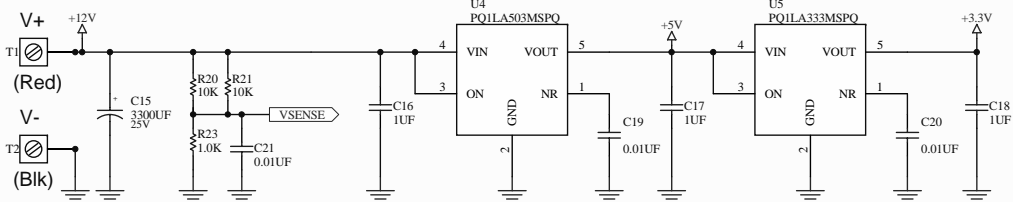
Revision	Date	Description
A	1 July '08	First production design.
B	1 Aug '08	Improve Isense circuit. Change AIN pin-out.
B1	5 Sept '08	Change R42 to 150 ohms.
B2	20 Oct '08	Add R43 to op-amp circuit.



LUMINARY MICRO

Drawing Title: Jaguar Brushed DC Motor Control
Page Title: MCU, Network and Interface
Size B Document Number: RDK-BDC
Date: 10/20/2008 Sheet 1 of 2 Rev B

+12V POWER IN



LUMINARY MICRO		
Drawing Title: Jaguar Brushed DC Motor Control		
Page Title: Power Supplies and Output Stage		
Size B	Document Number: RDK-BDC	
Date: 10/20/2008	Sheet 2 of 2	Rev B