

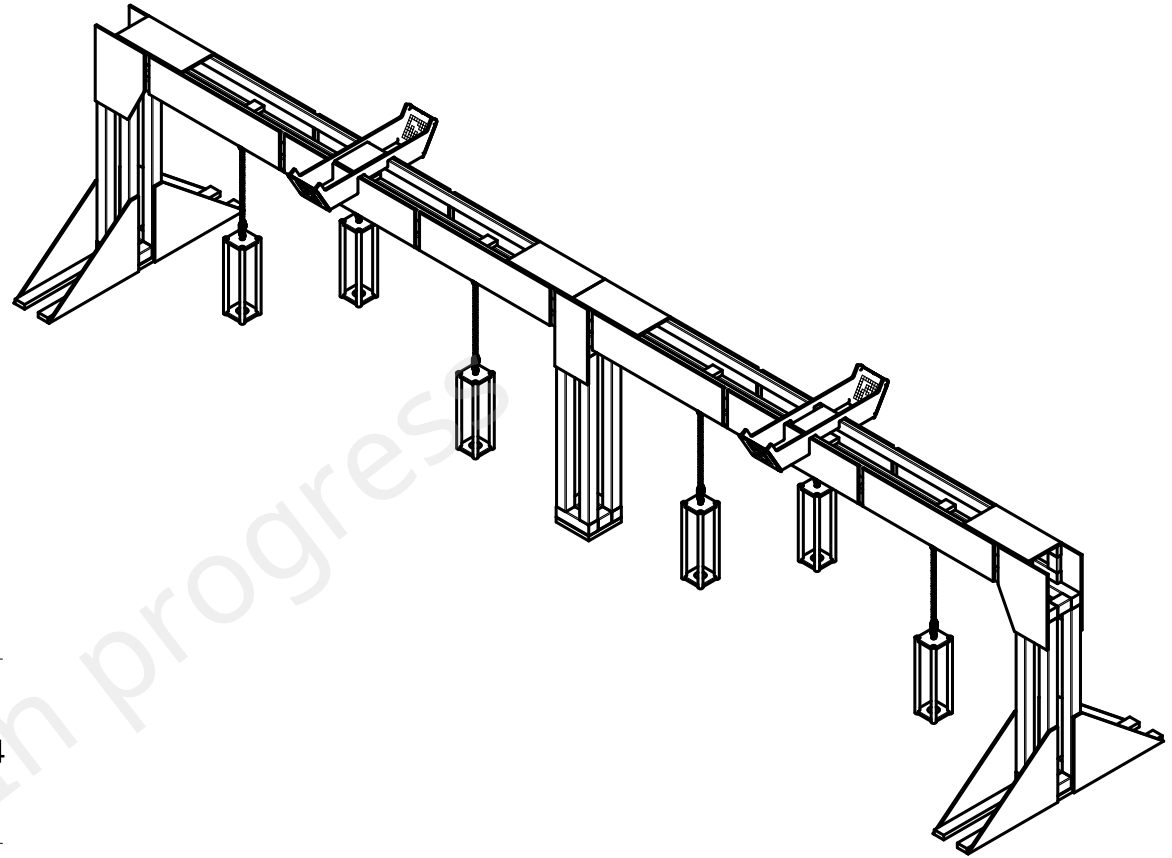
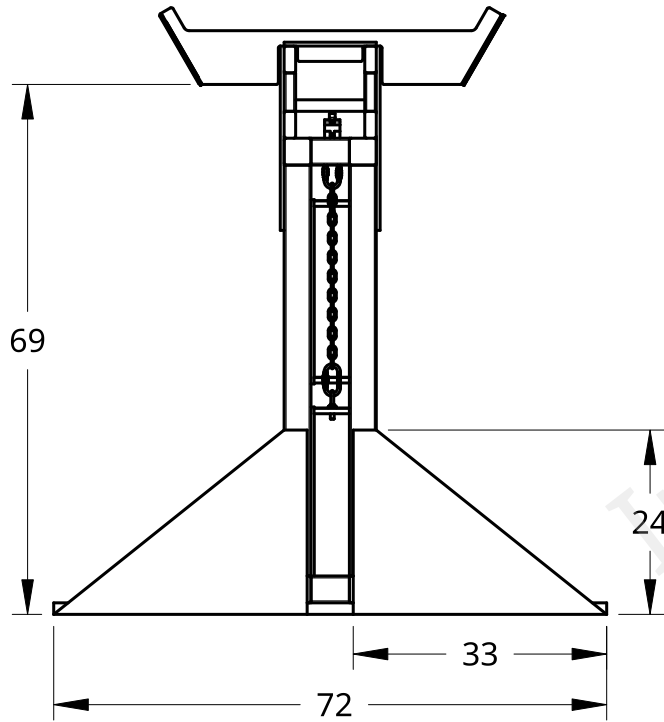
UNLESS OTHERWISE SPECIFIED, DIMENSIONS ARE IN INCHES		NAME	DATE		
.XX = ±.0-	ANGULAR = ± °	DRAWN	IAN HARTWIG	01/05/2025	
.XXX = ±.00-	FRACTIONAL = ±	CHECKED			TITLE
.XXXX = ±.000-		APPROVED			Wooden REEFSCAPE BARGE FRC 5026 -- Iron Panthers Beam Assembly Detail
SURFACE FINISH					SIZE
DO NOT SCALE DRAWING					A
BREAK ALL SHARP EDGES AND REMOVE BURRS					DWG NO.
THIRD ANGLE PROJECTION	MATERIAL	FINISH			REV. 1
					SCALE 1:40
					WEIGHT
					SHEET 1 of 3

2

1

B

B



SCALE 1:50

A

A

UNLESS OTHERWISE SPECIFIED, DIMENSIONS ARE IN INCHES .XX = ±.0- .XXX = ±.00- .XXXX = ±.000- SURFACE FINISH $\sqrt{\quad}$		NAME	DATE		
DO NOT SCALE DRAWING	DRAWN	IAN HARTWIG	01/05/2025	TITLE Wooden REEFSCAPE BARGE FRC 5026 -- Iron Panthers Pillar Detail and Overview	
BREAK ALL SHARP EDGES AND REMOVE BURRS	CHECKED				
THIRD ANGLE PROJECTION	APPROVED				
	MATERIAL	FINISH		SIZE A	DWG NO.
				SCALE 1:25	WEIGHT
				SHEET 2 of 3	REV. 1

2

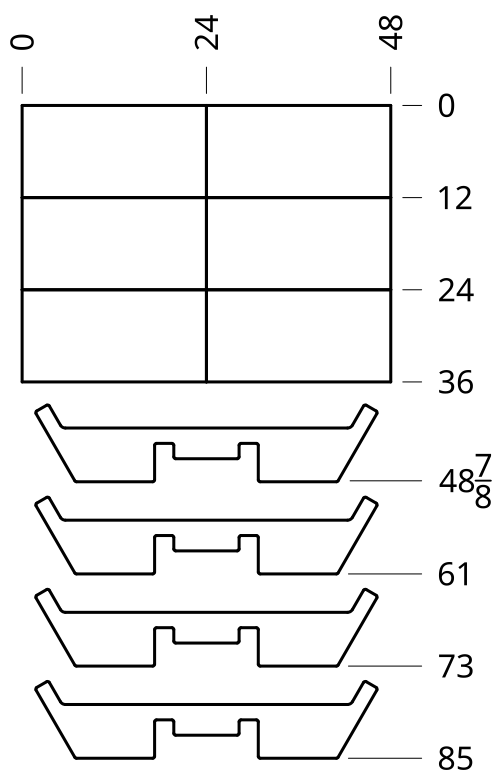
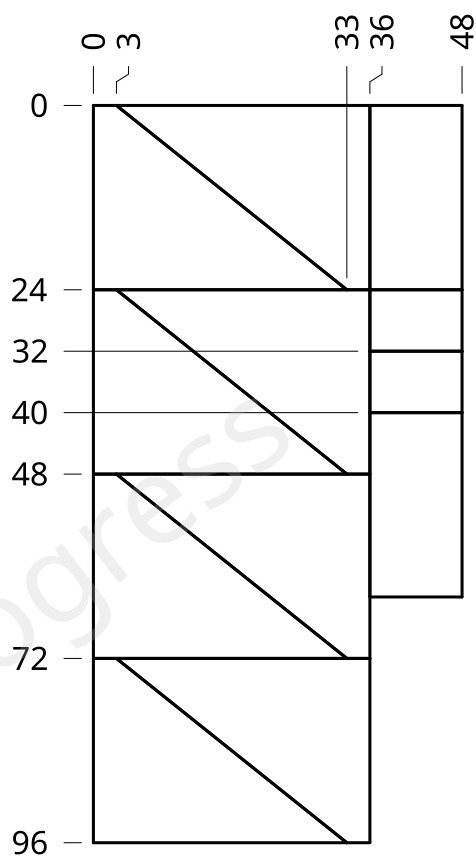
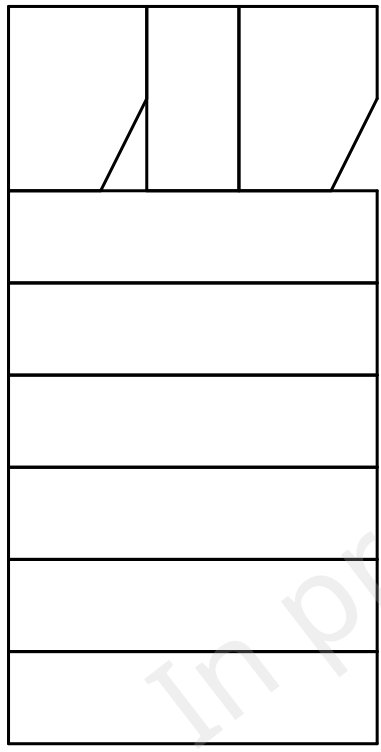
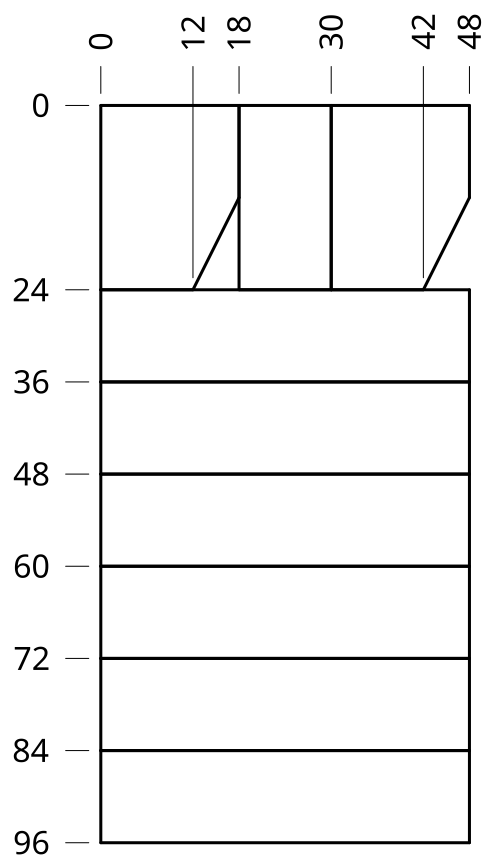
1

2

1

B

B



A

A

2

1

UNLESS OTHERWISE SPECIFIED, DIMENSIONS ARE IN INCHES		NAME		DATE	
.XX = ±.0-		DRAWN		IAN HARTWIG	
.XXX = ±.00-		CHECKED			
.XXXX = ±.000-		APPROVED			
SURFACE FINISH				TITLE	
DO NOT SCALE DRAWING				Wooden REEFSCAPE BARGE FRC 5026 -- Iron Panthers 4 x 8 x 1/2in Ply Cuts	
BREAK ALL SHARP EDGES AND REMOVE BURRS					
THIRD ANGLE PROJECTION		MATERIAL		SIZE	
		FINISH		A	
				DWG NO.	
				REV. 1	
				SCALE 1:25	
				WEIGHT	
				SHEET 3 of 3	