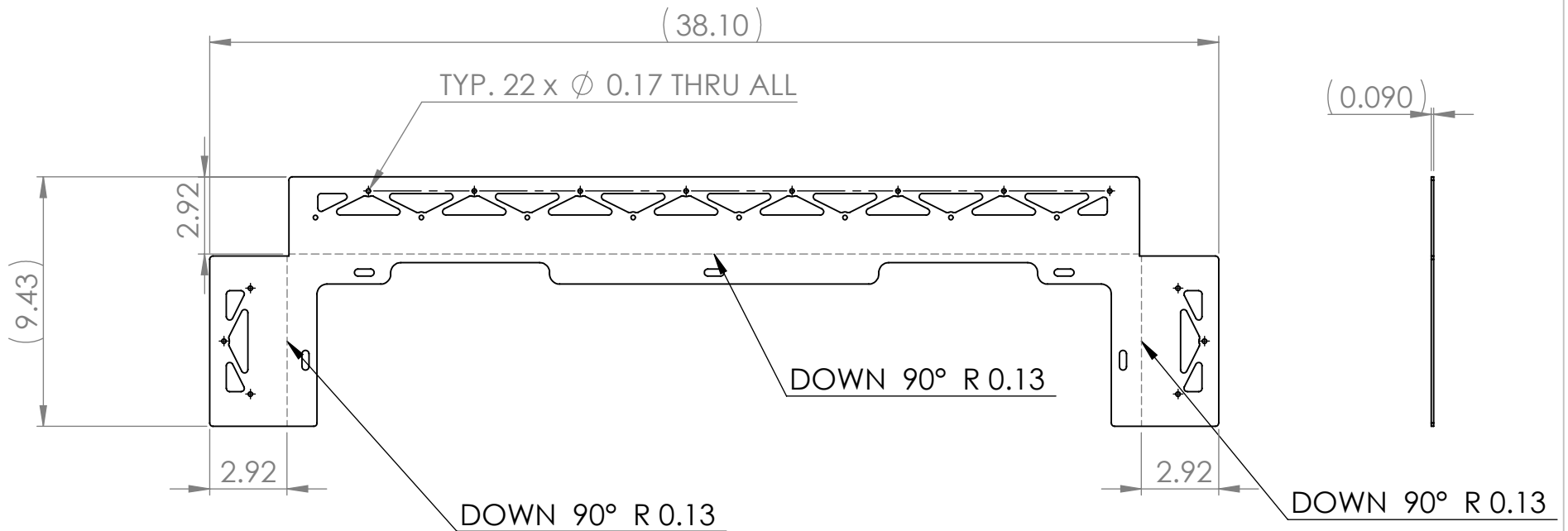


QTY/SEASON: 6



MATERIAL:		UNLESS OTHERWISE SPECIFIED	DESCRIPTION
5052-H32		PRIMARY UNITS INCHES	BUMPER BRACKET
FINISH:		NO BURRS OR SHARP EDGES	
ORBITAL SANDED		TOLERANCES:	PART NO. <b>CX20-DRIV-P022</b>
WEIGHT:	DRAWN BY:	FRACTIONS ±1/32"	
1.281	EM	2 DECIMAL PLACES ±.010"	
DIMENSIONS PER:		3 DECIMAL PLACES ±.005"	
CX20-DRIV-P022.SLDPRT, .STEP, OR .DXF		ANGULAR DEGREES ±0.5°	
		BENDS ±0.010"	PRINTED ON: 2/25/2020
			SCALE: 1:6
			SHEET 1 OF 2



QTY/SEASON: 6

MATERIAL:		UNLESS OTHERWISE SPECIFIED		DESCRIPTION		
5052-H32		PRIMARY UNITS INCHES		BUMPER BRACKET		
FINISH:		NO BURRS OR SHARP EDGES				
ORBITAL SANDED		TOLERANCES:		PART NO.		
WEIGHT:	DRAWN BY:	FRACTIONS	$\pm 1/32"$	CX20-DRIV-P022		
1.281	EM	2 DECIMAL PLACES	$\pm .010"$			
DIMENSIONS PER:		3 DECIMAL PLACES	$\pm .005"$			
CX20-DRIV-P022.SLDPRT, .STEP, OR .DXF		ANGULAR DEGREES	$\pm 0.5^\circ$			
		BENDS	$\pm 0.010"$	PRINTED ON: 2/25/2020	SCALE: 1:6	SHEET 2 OF 2

