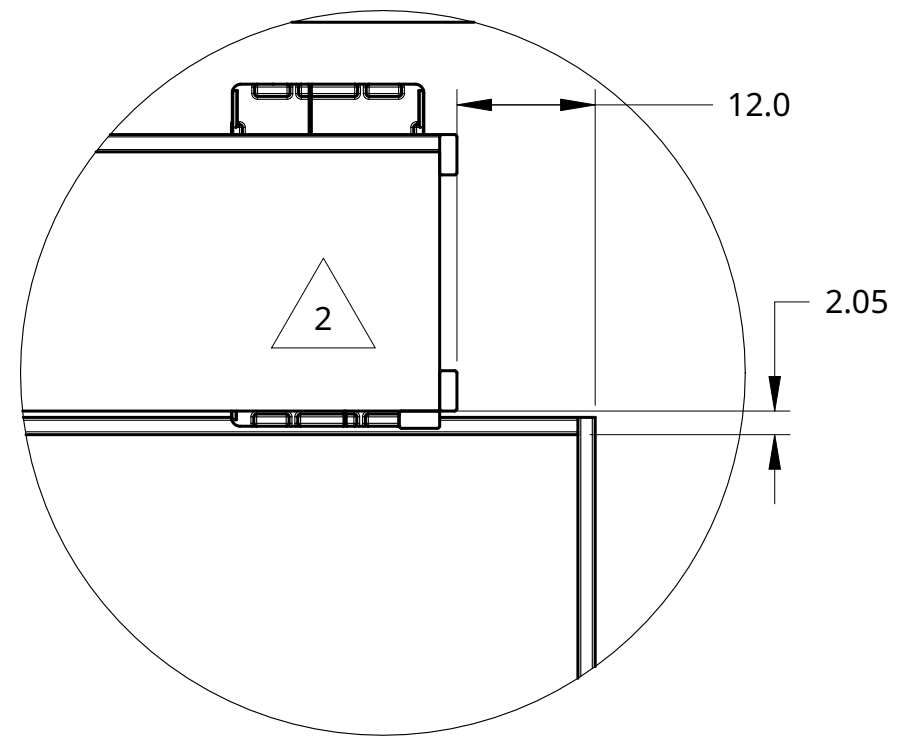
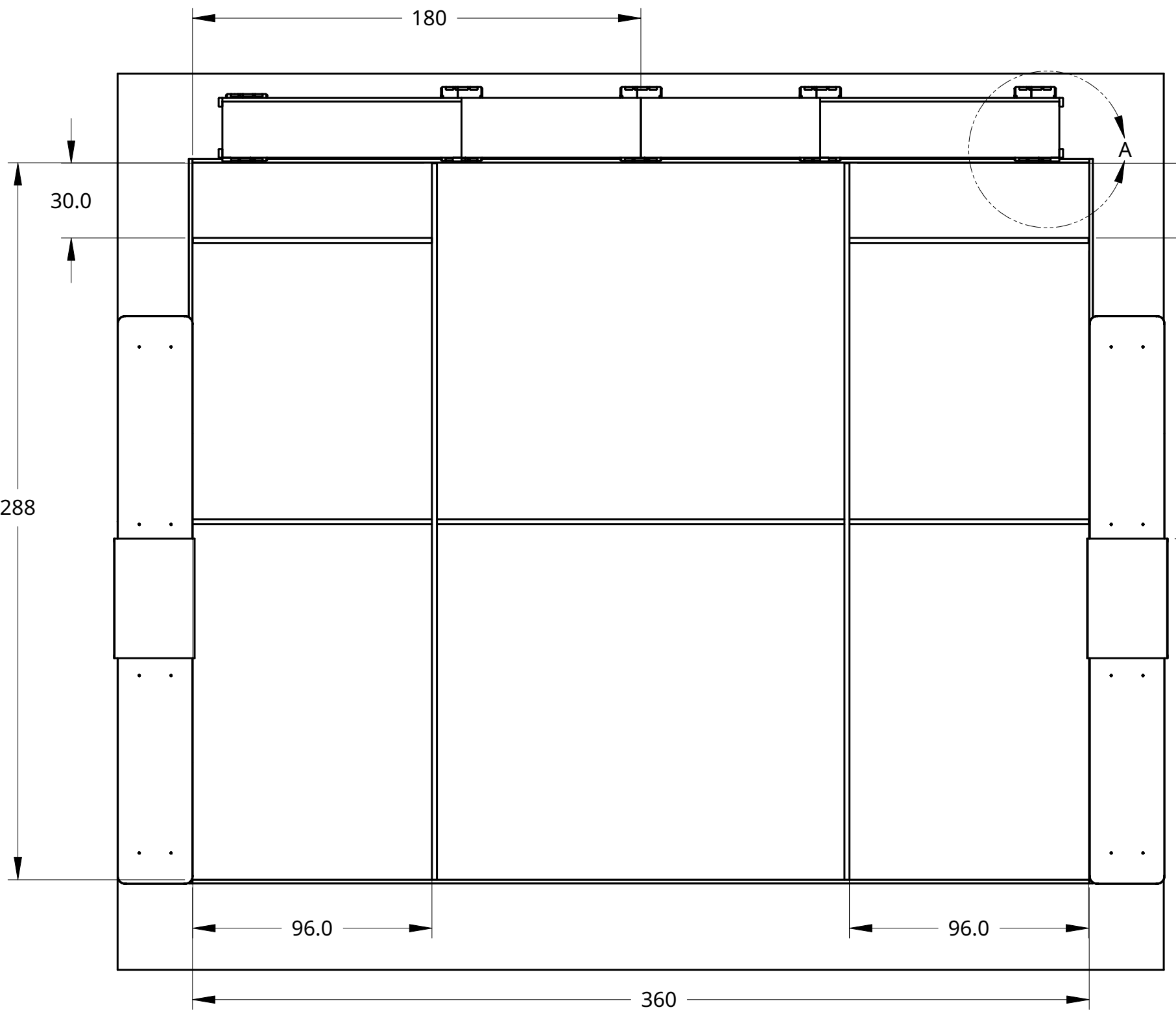


4

3

2

1



DETAIL A
SCALE 0.06:1

- NOTES:**
1. TAPE LINE MEASUREMENTS DOES NOT INCLUDE THICKNESS OF TAPE UNLESS OTHERWISE SPECIFIED
 2. DELIVERY PLATFORM WILL BE CENTERED TO FIELD AND TOTES WILL BE PUSHED UP AGAINST 2"X8" BORDER TO DETERMINE PLATFORM DISTANCE OF PLATFORMS FROM INSIDE AREA OF PLAY

UNLESS OTHERWISE SPECIFIED,
DIMENSIONS ARE IN INCHES

X = ±2.0
X.X = ±1.0
X.XX = ±0.50

ANGULAR = ± 2°

DO NOT SCALE DRAWING

THIRD ANGLE PROJECTION

TURTLE TRIALS 2021: PARCEL PANIC			
TITLE			
BASIC FIELD AND TAPE DIMENSIONS			
SIZE	DWG NO.	TT21-0001	REV. 1
SCALE	0.02:1	WEIGHT	SHEET 1 of 5

4

3

1

4

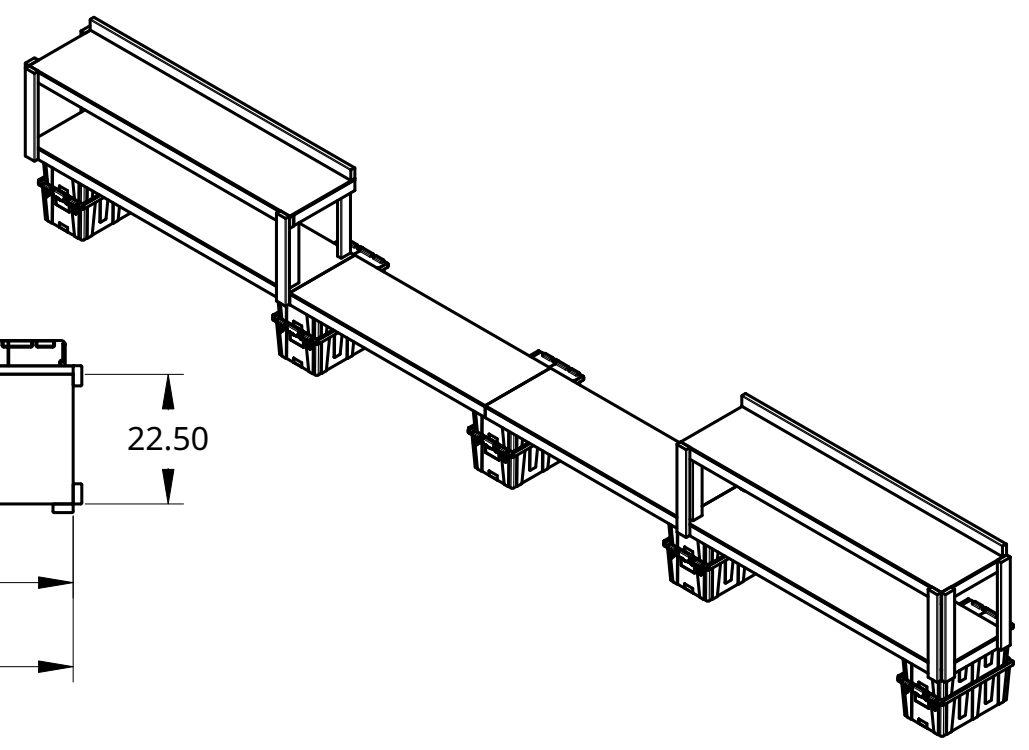
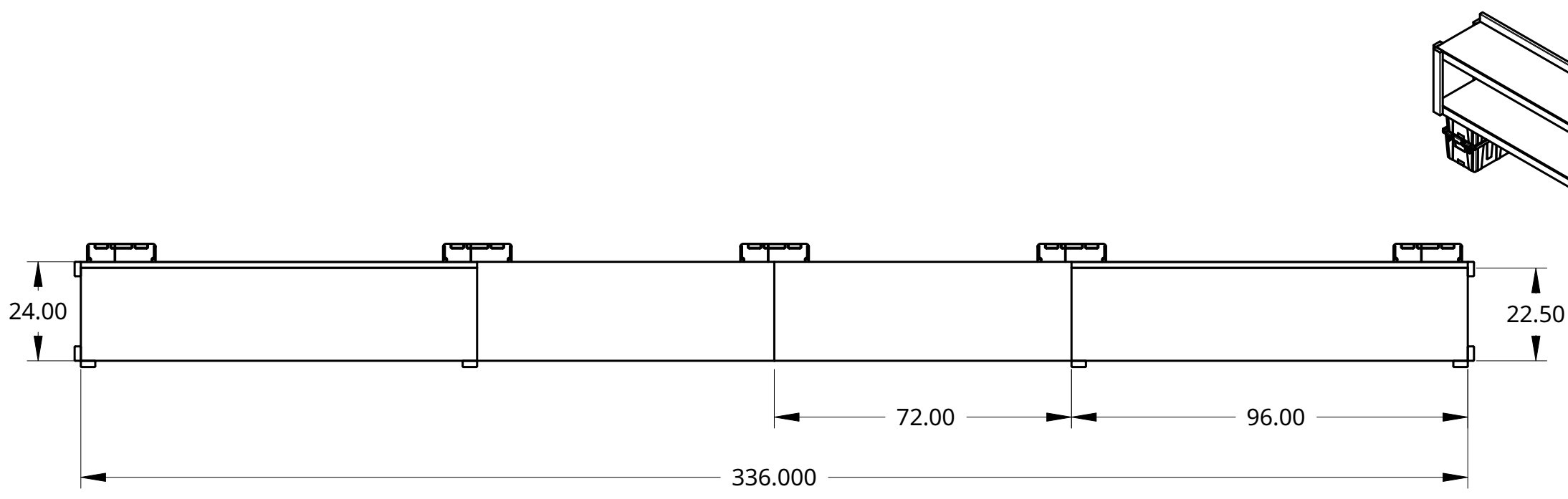
3

2

1

D

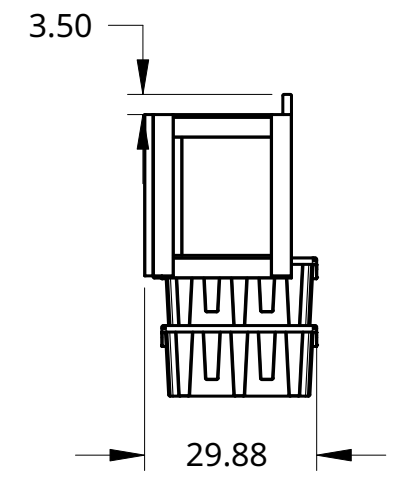
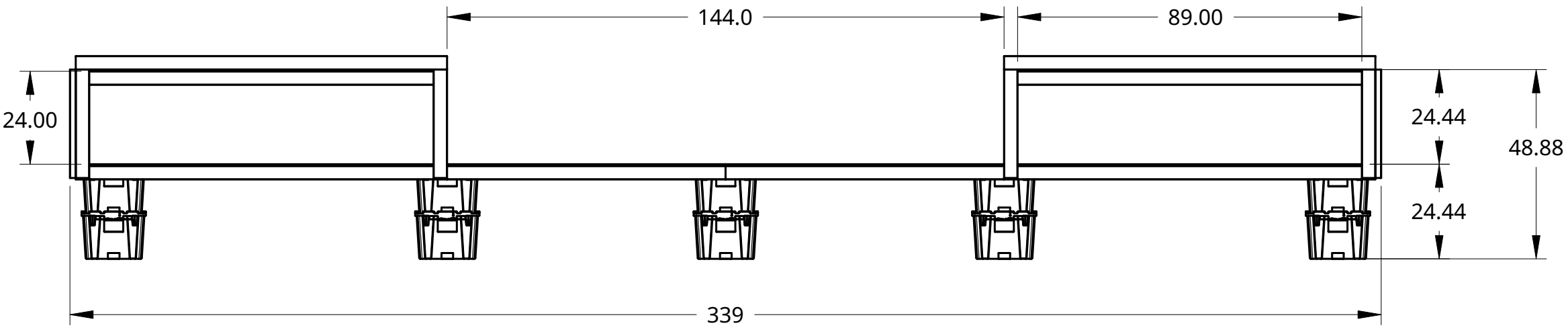
D



SCALE 0.02:1

C

C



B

B

NOTES:
 1. BASE TOTES WILL BE WEIGHED DOWN TO REDUCE CHANCE OF MOVEMENT ON CONTACT
 2. DELIVERY PLATFORM DESIGNED TO ALSO ALLOW TOTES AS SPACING BETWEEN MIDDLE AND HIGH PLATFORMS FOR SIMPLIFIED AT-HOME PRACTICE VERSION OF PLATFORM (SEE TT21-9002)

UNLESS OTHERWISE SPECIFIED,
 DIMENSIONS ARE IN INCHES
 X = ±2.0
 X.X = ±1.0
 X.XX = ±0.50
 ANGULAR = ± 2°
 DO NOT SCALE DRAWING
 THIRD ANGLE PROJECTION

TURTLE TRIALS 2021: PARCEL PANIC			
TITLE DELIVERY PLATFORM GENERAL DIMENSIONS			
SIZE B	DWG NO. TT21-0002	REV. 1	
SCALE 0.03:1	WEIGHT	SHEET 2 of 5	

A

A

4

3

1

4

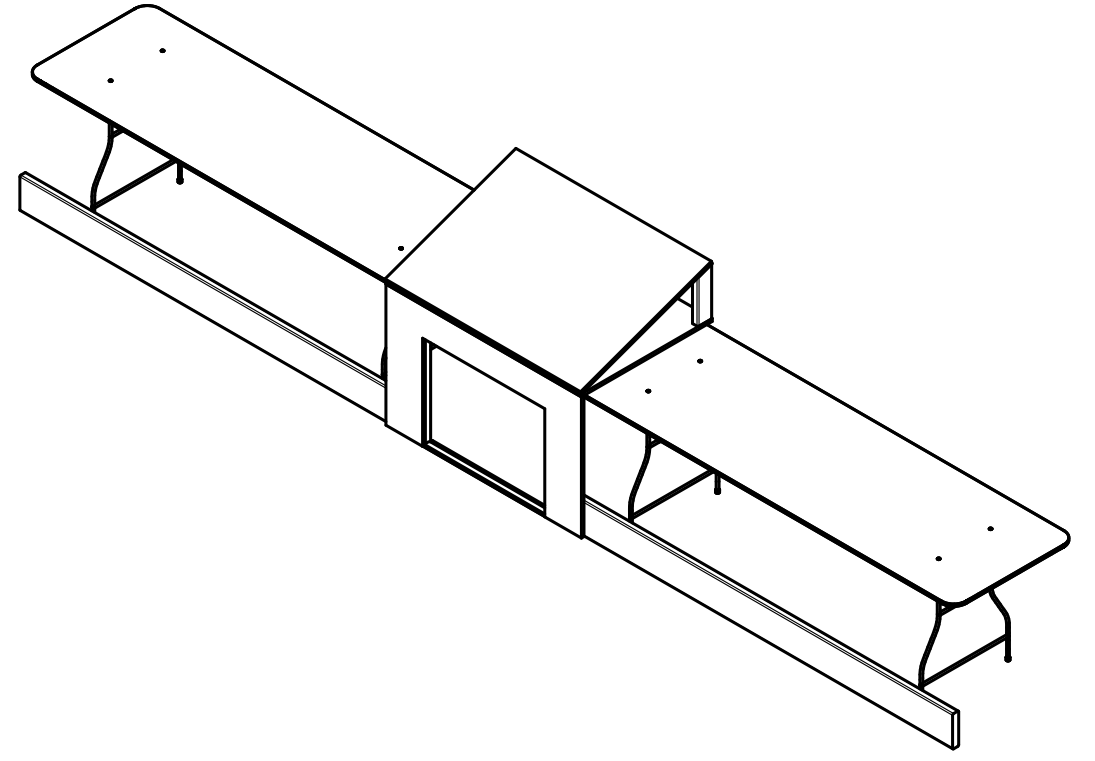
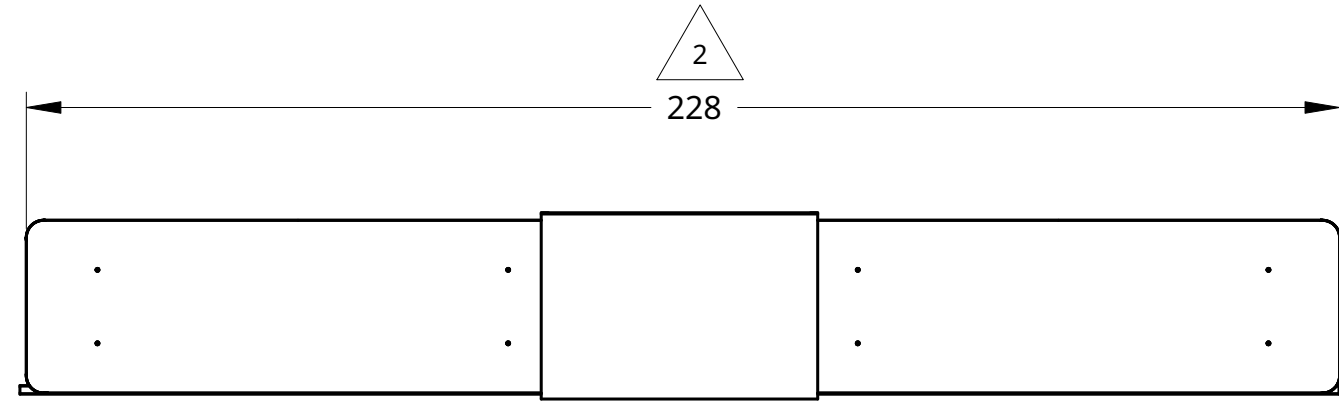
3

2

1

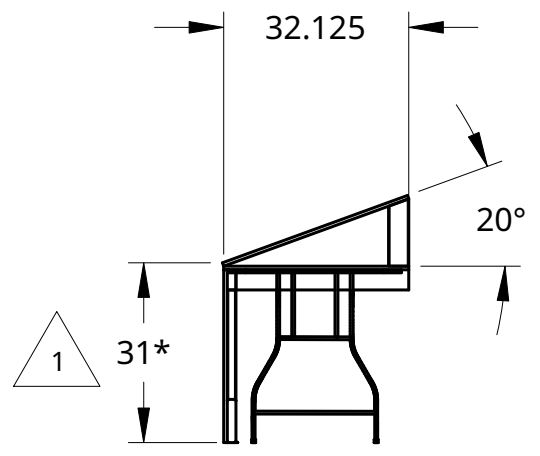
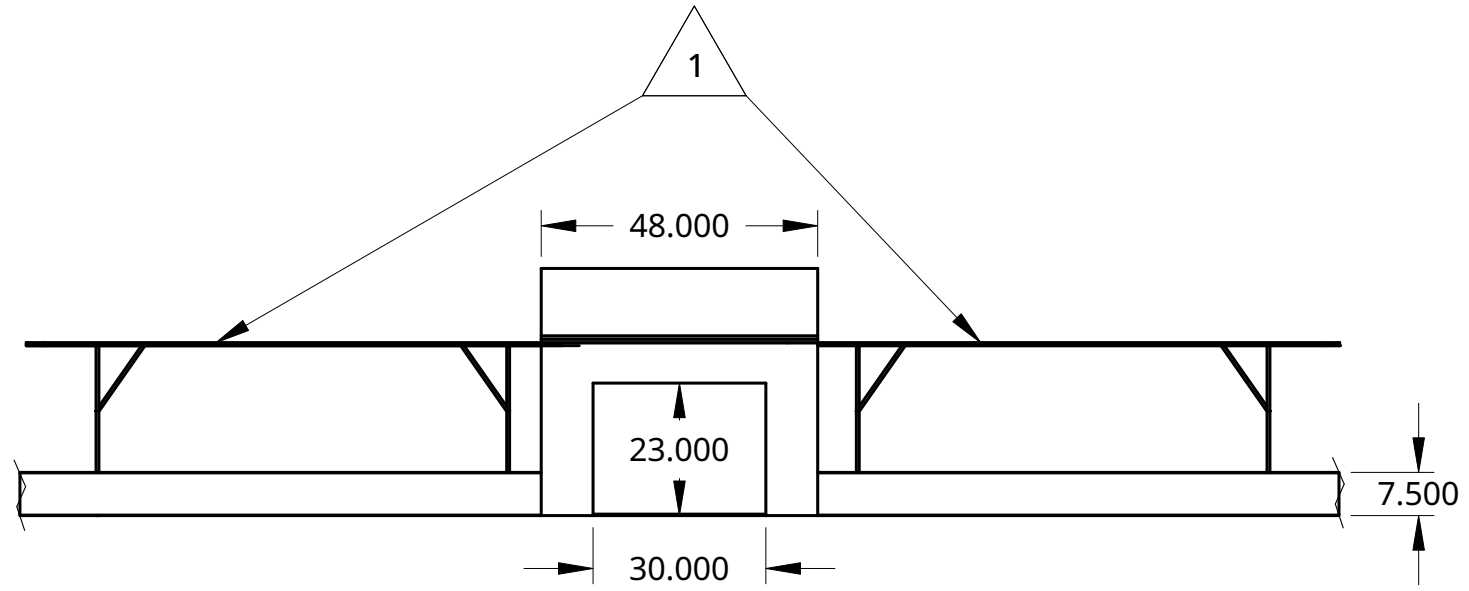
D

D



C

C



B

B

A

A

- NOTES:**
- HEIGHT OF STATION LARGELY DEPENDENT ON HEIGHT OF TABLES PROVIDED TO THE EVENT, SO TEAMS SHOULD BE FLEXIBLE WITH ABILITY TO ACCEPT GAME PIECES FROM A LARGER TOLERANCE OF HEIGHTS
 - OVERALL WIDTH OF ALLIANCE STATION TABLES DEPENDENT ON TABLES PROVIDED TO THE EVENT

UNLESS OTHERWISE SPECIFIED,
DIMENSIONS ARE IN INCHES
X = ±2.0
X.X = ±1.0
X.XX = ±0.50
X.XXX = ±0.25
ANGULAR = ± 2°
DO NOT SCALE DRAWING
THIRD ANGLE PROJECTION

TURTLE TRIALS 2021: PARCEL PANIC			
TITLE TRANSFER STATION GENERAL DIMENSIONS			
SIZE B	DWG NO. TT21-0003	REV. 1	
SCALE 0.03:1	WEIGHT	SHEET 3 of 5	

4

3

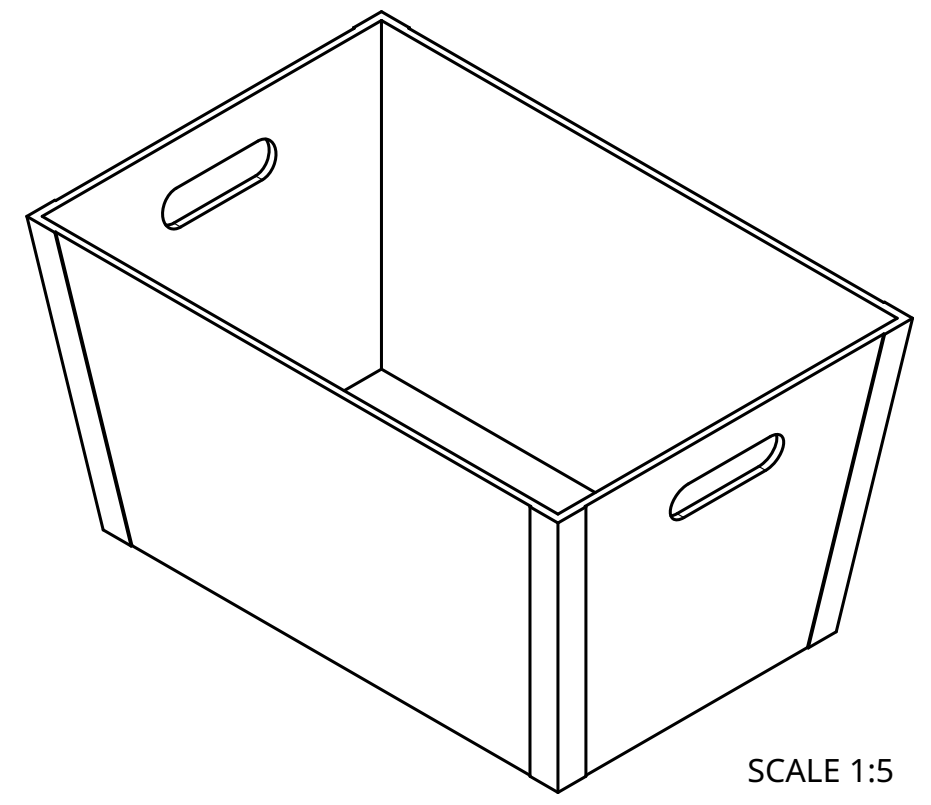
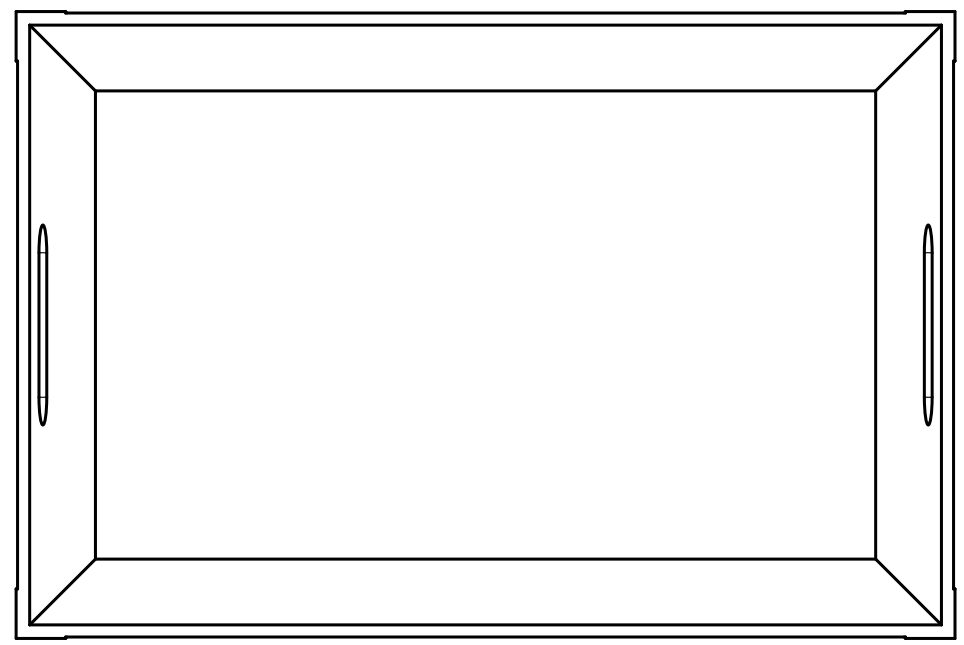
1

4

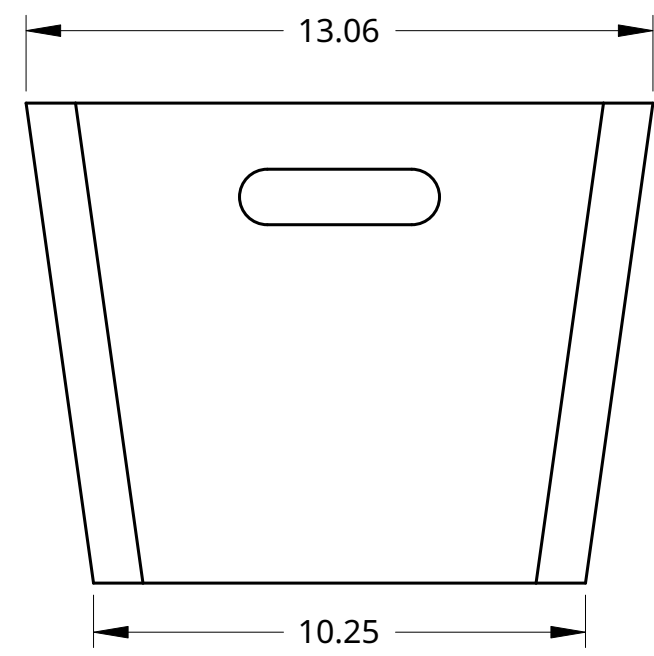
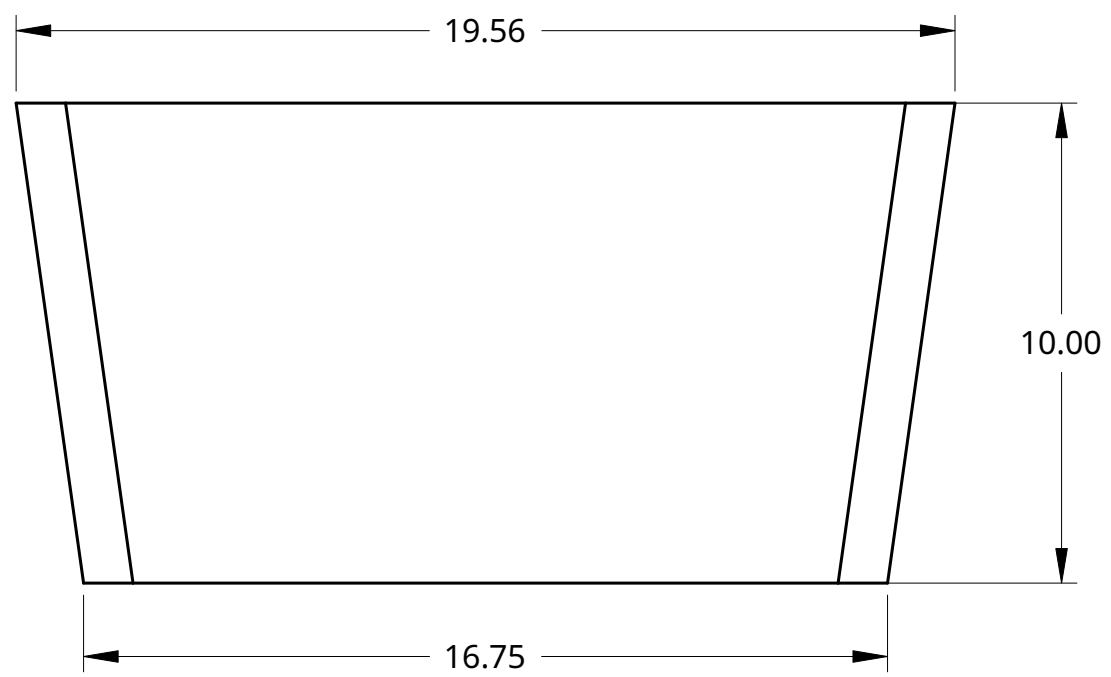
3

2

1



SCALE 1:5



NOTES:
 1. GAFFER'S TAPE WILL BE USED ON ALL ETERNAL FACING CORNERS AND EDGES

UNLESS OTHERWISE SPECIFIED,
 DIMENSIONS ARE IN INCHES
 X.X = ±0.5
 X.XX = ±0.25
 X.XXX = ±0.125
 ANGULAR = ± 2°
 DO NOT SCALE DRAWING
 THIRD ANGLE PROJECTION

TURTLE TRIALS 2021: PARCEL PANIC			
TITLE			
CARRIER GAME PIECE DIMENSIONS			
SIZE	DWG NO.	REV.	
B	TT21-0004	1	
SCALE	WEIGHT	SHEET	
1:4		4 of 5	

4

3

1

D

D

C

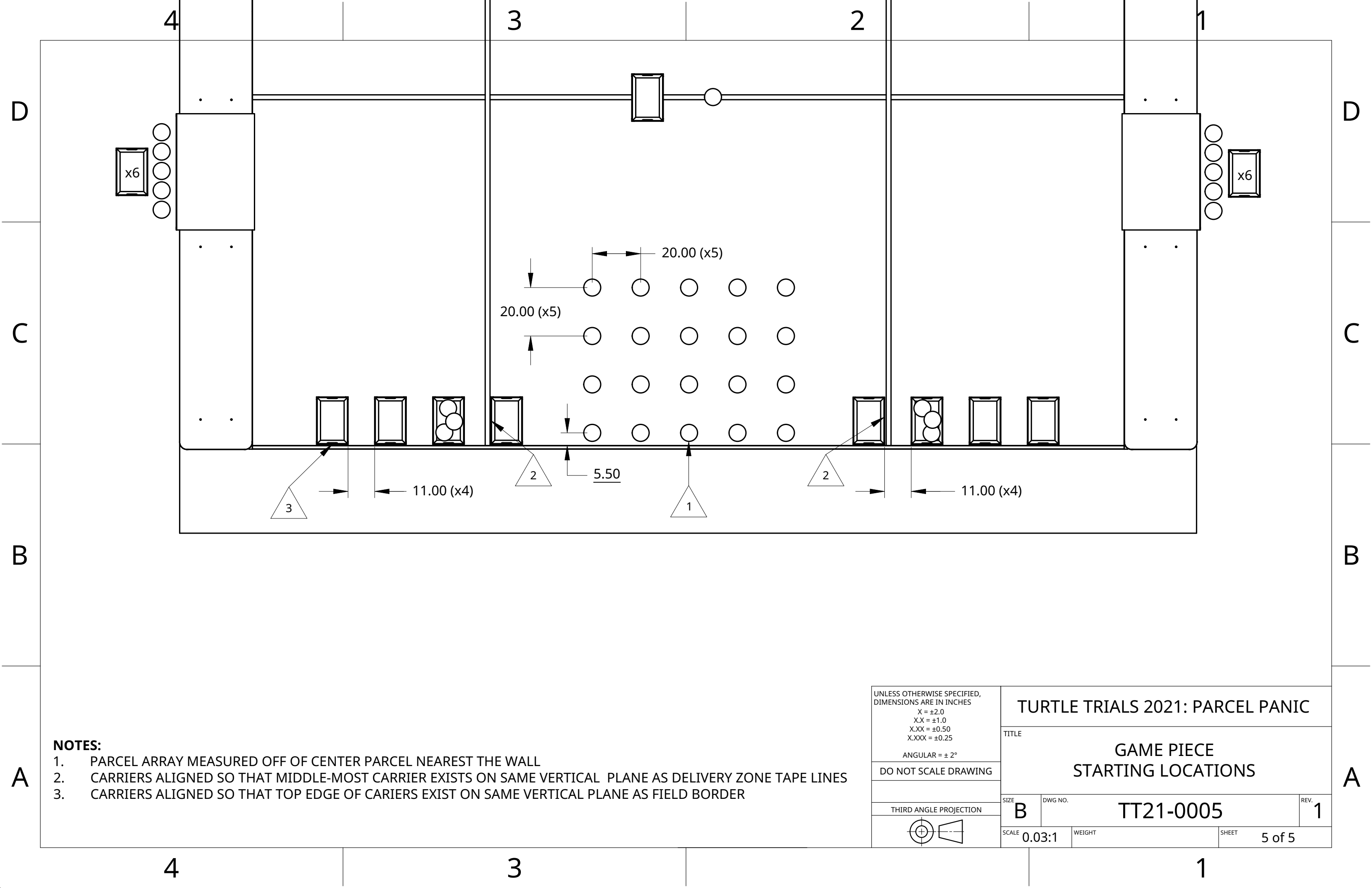
C

B

B

A

A



- NOTES:**
1. PARCEL ARRAY MEASURED OFF OF CENTER PARCEL NEAREST THE WALL
 2. CARRIERS ALIGNED SO THAT MIDDLE-MOST CARRIER EXISTS ON SAME VERTICAL PLANE AS DELIVERY ZONE TAPE LINES
 3. CARRIERS ALIGNED SO THAT TOP EDGE OF CARRIERS EXIST ON SAME VERTICAL PLANE AS FIELD BORDER

UNLESS OTHERWISE SPECIFIED,
DIMENSIONS ARE IN INCHES
 X = ±2.0
 X.X = ±1.0
 X.XX = ±0.50
 X.XXX = ±0.25
 ANGULAR = ± 2°
 DO NOT SCALE DRAWING
 THIRD ANGLE PROJECTION

TURTLE TRIALS 2021: PARCEL PANIC			
TITLE			
GAME PIECE STARTING LOCATIONS			
SIZE	DWG NO.	REV.	
B	TT21-0005	1	
SCALE	WEIGHT	SHEET	
0.03:1		5 of 5	