

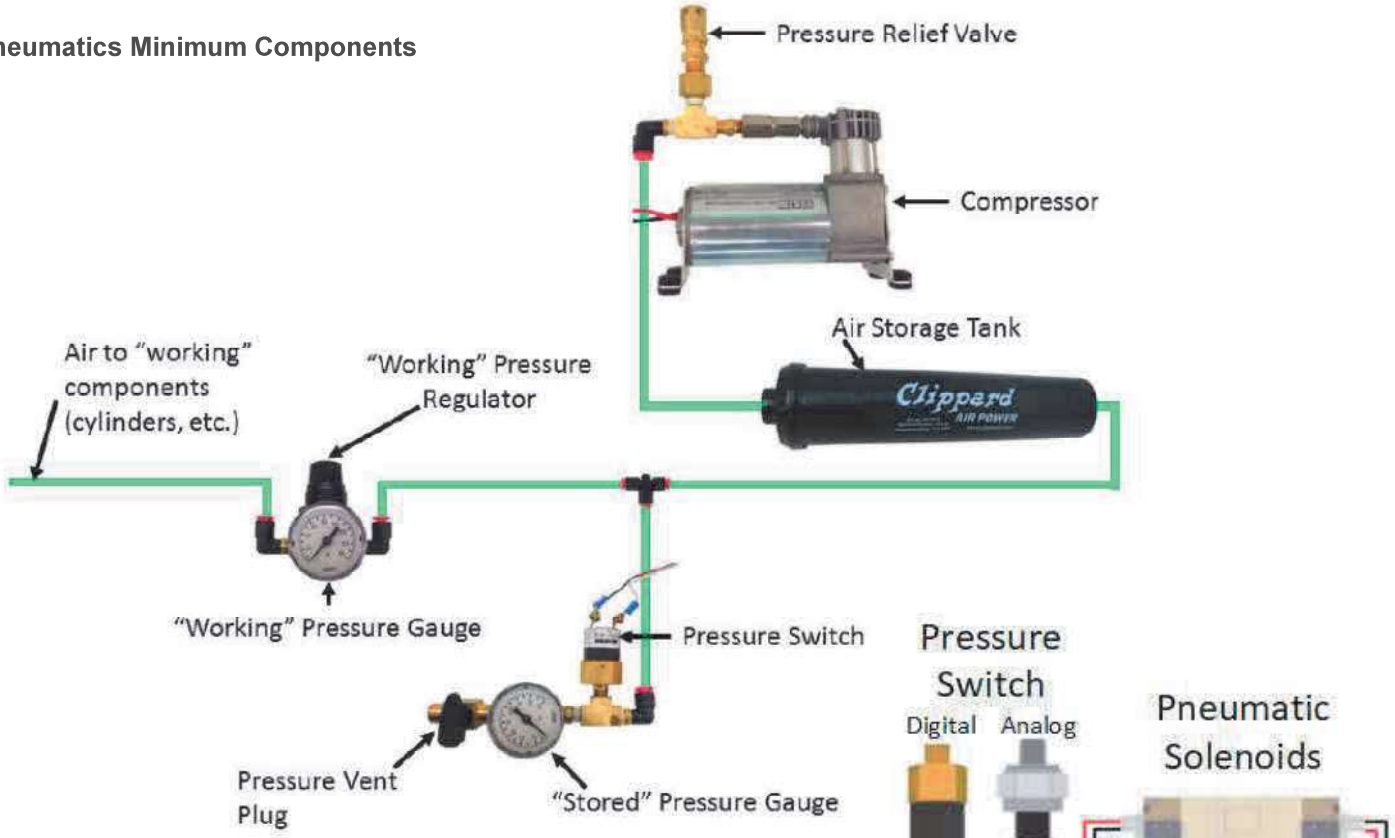
2023 RI Cheat Sheet

<p>CIM 2.5" diameter / 4.5" long</p> 	<p>CIM Part Numbers: FR801-001 M4-R0062-12 AM802-001A 217-2000 PM25R-44F-1005 PM25R-45F-1004 PM25R-45F-1003 PMR25R-45F-1003 PMR25R-44F-1005 am-0255</p>	<p>Venom 2.5" diameter / 4.5" long P/N: BDC-10001</p> 	<p>VEX mini-CIM 2.5" diameter / 3.36" long P/N: 217-3371</p> 
<p>VEX BAG 1.6"Diameter / 2.8" long P/N: 217-3351</p> 	<p>Falcon 500 2.36" diameter / 3.2" long P/N: 217-6515, am-6515, 19-708850, am6515_Short</p> 	<p>NEO Brushless 2.36" diameter / 2.3" long P/N: REV-21-1650</p> 	<p>Neo 550 1.38" Diameter / 1.75" long P/N: REV-21-1651</p> 
<p>AndyMark PG P/N: am-2161, am-2765, am- 2194, am-2766</p> 	<p>AndyMark RedLine Motor P/N: am-3775, am-3775a</p> 	<p>RS775 Pro P/N: 217-4347</p> 	<p>AndyMark 9015 P/N: am-0912</p> 
<p>Banebots</p> 	<p>Banebots Part Numbers: am-3830 M7-RS775-18 RS775WC-8514 M5-RS550-12 RS550VC-7527 RS550</p>	<p>AndyMark NeveRest P/N: am-3104</p> 	<p>Nidec Dynamo BLDC Motor P/N: am-3740, DM3012- 1063</p> 
<p>Snow Blower Motor P/N: am-2235, am-2235a</p> 	<p>REV HD Hex motor P/N:REV-41-1291</p> 	<p>Johnson Electric P/N: JE-PLG-149 JE-PLG-410</p> 	

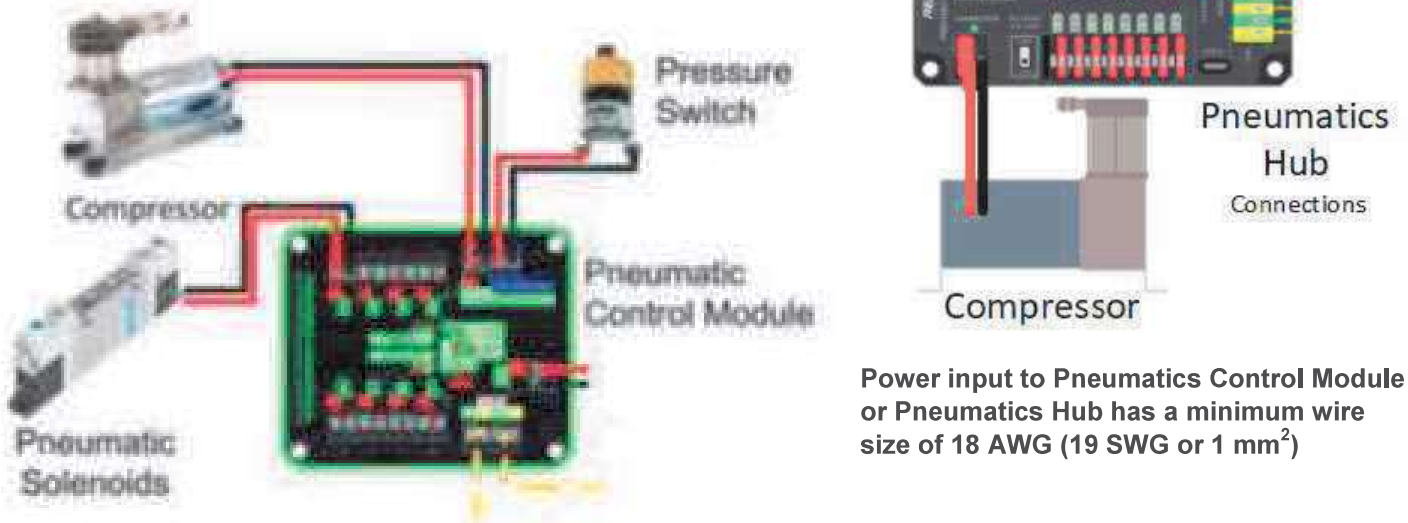
2023 RI Cheat Sheet

<p>KOP Automotive motors</p>  <p>Denso 5-163800-RC1</p>	 <p>Bosch 6 004 RA3 194-06</p>	 <p>Denso AE235100-0160</p>	 <p>Denso 262100-3030 Denso 262100-3040</p>
--	---	---	--

Pneumatics Minimum Components



Pneumatics Control Module connections



Power input to Pneumatics Control Module or Pneumatics Hub has a minimum wire size of 18 AWG (19 SWG or 1 mm²)