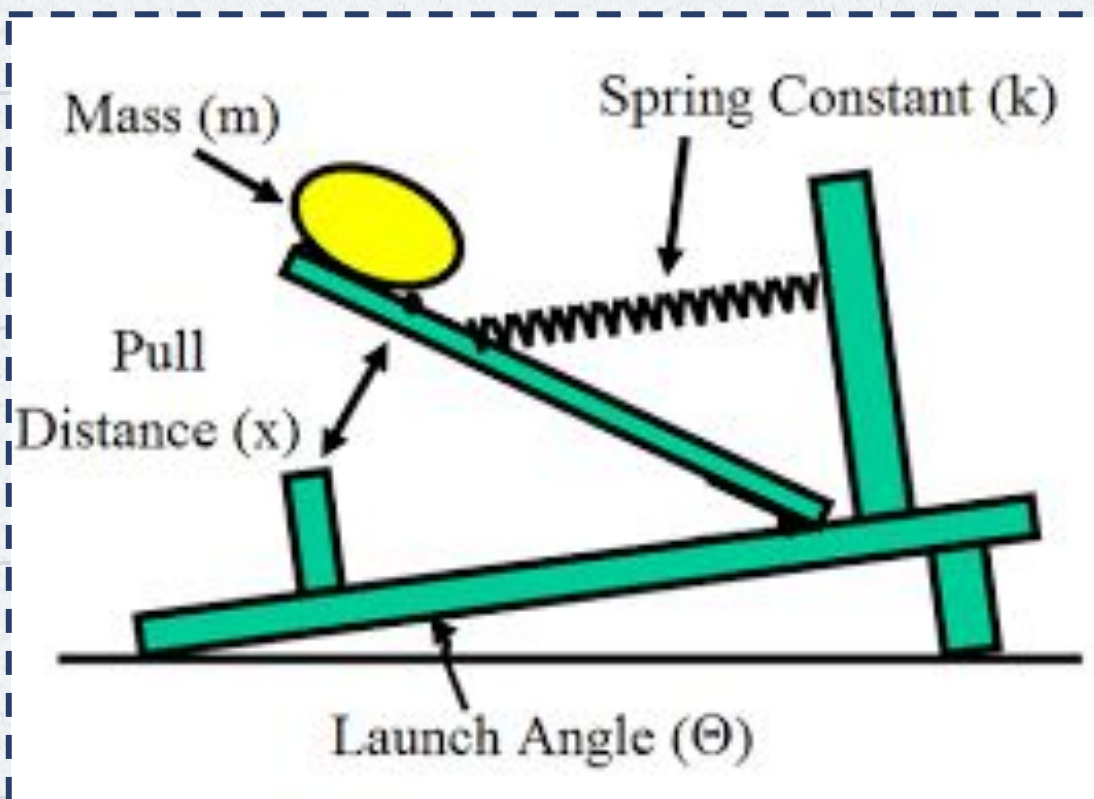


Mechanical Engineering

Building a Catapult

Background

There is nothing quite as classic as a mechanical engineering catapult project! By understanding basic catapult physics, we can learn about the mechanics of springs, rotational energy and projectiles! Mechanical engineers use these core concepts in their work everyday. Mechanical engineers can pursue a variety of work, including renewable energy technology, robotics, product design and much more!



Mechanical Engineering

Building a Catapult

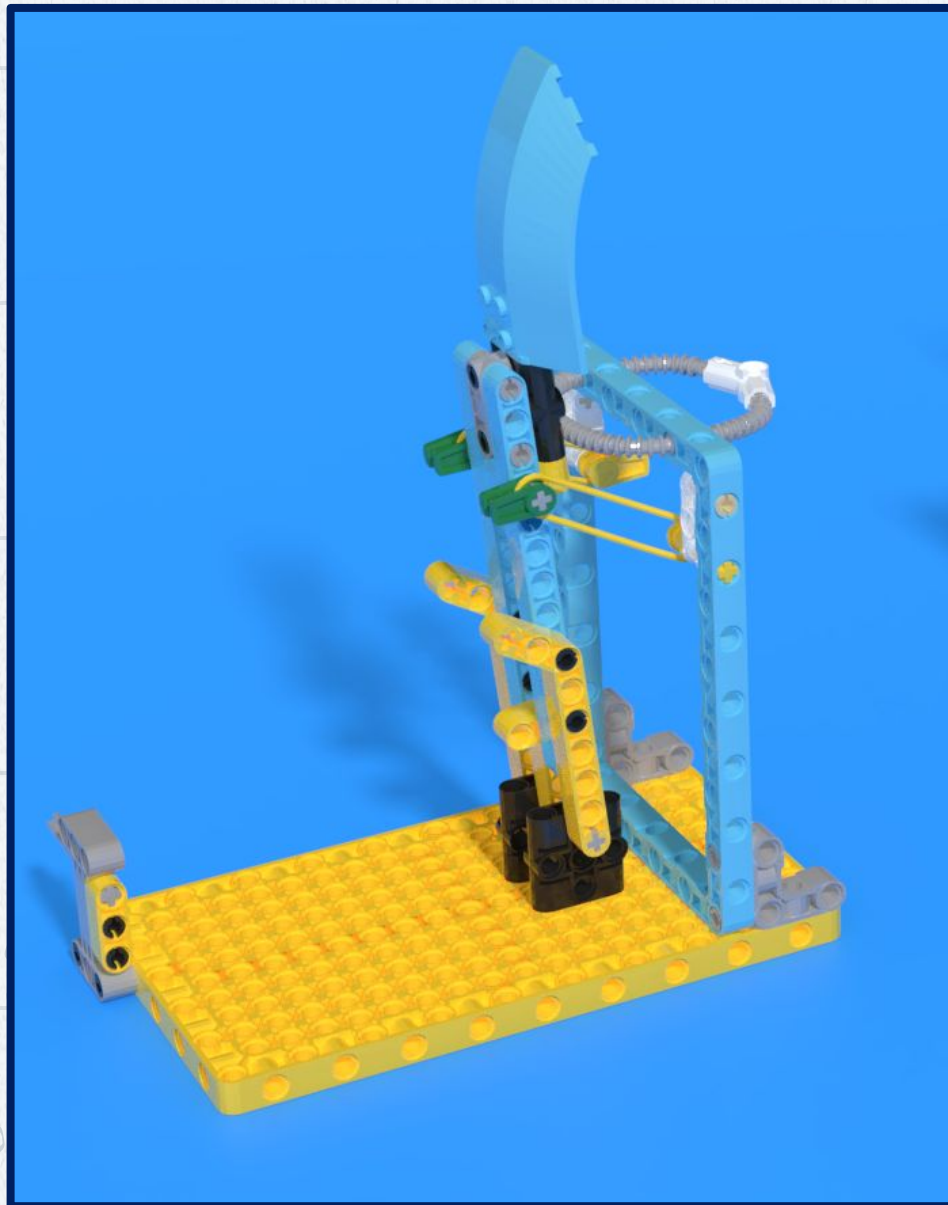
Challenge Statement: Build the catapult kit per the instructions. Try and find the ideal launch location to get the ball in the cup.

Materials

- ✓ LEGO Pieces
- ✓ Cup

Milestones (10 Points Per Milestone)

1. Build the catapult.
2. Test the catapult and mark where the ball lands in relation to the cup.
3. Determine the ideal launch location to get the ball in the cup.
4. Brainstorm 2 ideas for how to improve this catapult design.



Mechanical Engineering

Building a Catapult

1) Build the catapult.

2) Test the catapult and mark where the ball lands in relation to the cup.

3) Determine the ideal launch location to get the ball in the cup.

4) Brainstorm 2 ideas for how to improve this catapult design.

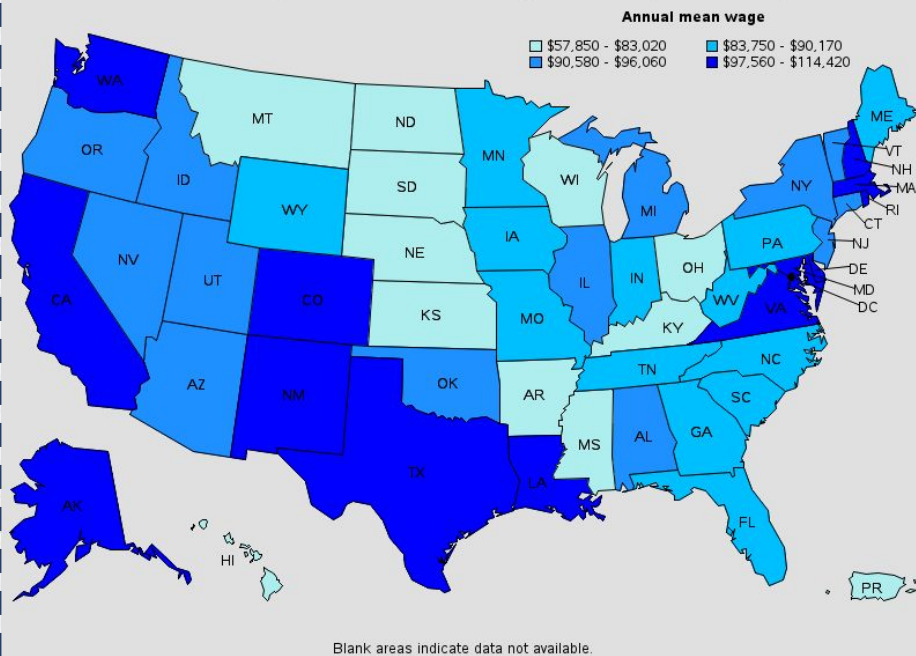
Milestone 4 – How could you improve this catapult design?

Mechanical Engineering Career Outlook

Check out the annual salaries of mechanical engineers by state in the diagram below!



Annual mean wage of mechanical engineers, by state, May 2019



Interested in Learning More?

If you think mechanical engineering could be the path for you, check out the website linked below. You will find mechanical engineering typical job duties, starting salaries and work environments!

<https://www.bls.gov/oo/h/architecture-and-engineering/mechanical-engineers.htm>

URNS ON PROJECTOR FOR TEACHER

MECHANICAL ENGINEER

